



Sistemi di verniciatura industriale
automatismi ed impianti

RICAMBISTICA

POLVERE

N.B. La ricambistica polvere di seguito riportata contiene immagini esemplificative degli originali articoli per rappresentare la ricambistica NON OEM (original equipment manufacturer) o AFTER MARKET trattata dalla nostra azienda

C.M. SPRAY S.R.L. Via T. Salsa, 10 z.i. 31030 CARBONERA (TV) ITALY

Sede Legale : Via Lanzaghe, 32/D - 31057 SILEA (TV)

Tel. 0422.398768 - Fax 0422.398594 - www.cmspray.it e-mail: cmspray@cmspray.it

P.IVA 02098100262 - R.E.A. Treviso n.0188412 - Reg. Imp. TV n. 02098100262 - Cap.soc. € 10.400,00 i.v.



Sistemi di verniciatura industriale
automatismi ed impianti

RICAMBISTICA POLVERE

Per Prodotti CM - W

CM351225 CONO 17mm

CM351226 CONO 25mm

CM351227 CONO 32mm

CM390207 CONO R20

CM390208 CONO R28

CM390209 CONO R38

CM351900 INSERTO UGELLO C2

CM351940 INSERTO UGELLO PEA-C3 (COMPL.)

CM351339 CUNEO C2 - C3

CM390315 ELETTRODO F ET

CM390916 ELETTRODO C4 R.ET

CM390310 CUNEO C4

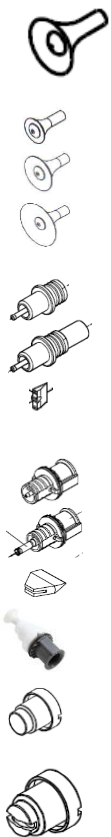
CM390917 ELETTRODO C4 R (COMPL. DI UG.)

CM390313 DEFLETTORE CONO

CM390324 UGELLO VENT.F1

CM390325 UGELLO VENT.F2

CM390326 UGELLO VENT.F3



CM351346 UGELLO ARIA

CM351232 UGELLO VENTAGLIO

CM351901 UGELLO VENT. COMPL.

CM241466 GHIERA CHIUSURA

CM241476 INNESTO CONDUTTIVO

CM241621 INIETTORE COMPL.

CM351620 GHIERA CHIUSURA

CM390311 GHIERA DI CHIUSURA

CMW18

CMW26

CM241476 INNESTO CONDUTTIVO

CMW20 INSERTO VENTURI

CM241285 INSERTO COMPLETO



CM241229 INIETTORE

CM241225 INIETTORE PI

CM241430 INIETTORE

CMW25 INIETTORE

CM C3 PROLUNGA 300mm

CM390977 C4 PROLUNG. 300mm

CM2301006 C4 PROLUNG. 500mm

CM390901 PROLUNG. 150mm

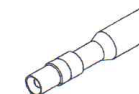
CM390902 PROLUNG. 300mm

CM390204 CORPO UG. C4

CM351201 CORPO UG. C3

CM351764 GOMITO C4

CM260926 UGELLO VENT.



C.M. SPRAY S.R.L. Via T. Salsa, 10 z.i. 31030 CARBONERA (TV) ITALY
Sede Legale : Via Lanzaghe, 32/D - 31057 SILEA (TV)
Tel. 0422.398768 - Fax 0422.398594 - www.cmspray.it e-mail: cmspray@cmspray.it
P.IVA 02098100262 - R.E.A. Treviso n.0188412 - Reg. Imp. TV n. 02098100262 - Cap.soc. € 10.400,00 i.v.



Sistemi di verniciatura industriale
automatismi ed impianti

RICAMBISTICA POLVERE

Per Prodotti CM - W

ELECTRODE HOLDER WITH PROTECTIVE WEDGE FOR FAN SPRAY NOZZLE Item no. 390915
Electrode holder for fan spray nozzles for C4 guns



FAN SPRAY NOZZLE F1 Item no. 390324
Standard fan spray nozzle, C4 guns, for universal applications



FAN SPRAY NOZZLE F2 Item no. 390325
Fan spray nozzle, C4 guns, for higher powder output



FAN SPRAY NOZZLE F3 Item no. 390326
Fan spray nozzle, C4 guns, for Low Air feed system



FAN SPRAY NOZZLE F4 Item no. 2311898
Fan spray nozzle for LowAir applications for profiles



ELECTRODE HOLDER WITH PROTECTIVE WEDGE AND DEFLECTOR CONE SLEEVE FOR
ROUND SPRAY NOZZLE Item no. 390916
Electrode holder for round spray nozzles for C4 guns



DEFLECTOR CONE D20 Item no. 390207
Deflector cone, 20 mm diameter, for C4 guns



DEFLECTOR CONE D28 Item no. 390208
Deflector cone, 28 mm diameter, for C4 guns



DEFLECTOR CONE D38 Item no. 390209
Deflector cone, 38 mm diameter, for C4 guns



PROTECTIVE WEDGE C4 Item no. 390310
Wedge for electrode holder C4, wear part



WEDGE TOOL INCLUDING 20 WEDGES Item no. 390900
Tool for inserting and pulling out protective wedge C4



EXTENSION 150 MM Item no. 2308703
Nozzle extension for hand guns: PEM-C4, PEM-C4R
Special advantages ■ Very slim design
 ■ Submersible in tight spaces



C.M. SPRAY S.R.L. Via T. Salsa, 10 z.i. 31030 CARBONERA (TV) ITALY

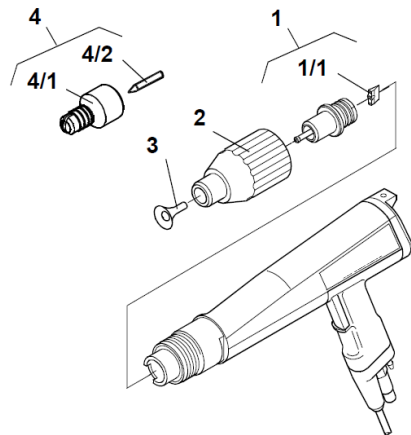
Sede Legale : Via Lanzaghe, 32/D - 31057 SILEA (TV)

Tel. 0422.398768 - Fax 0422.398594 - www.cmspray.it e-mail: cmspray@cmspray.it

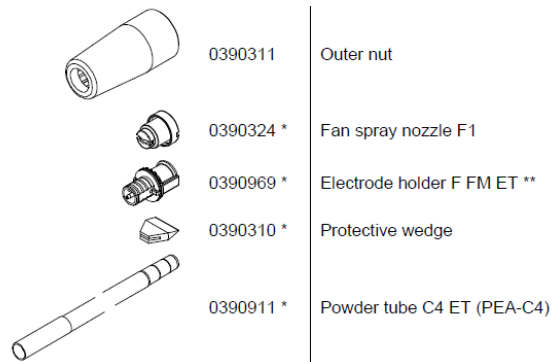
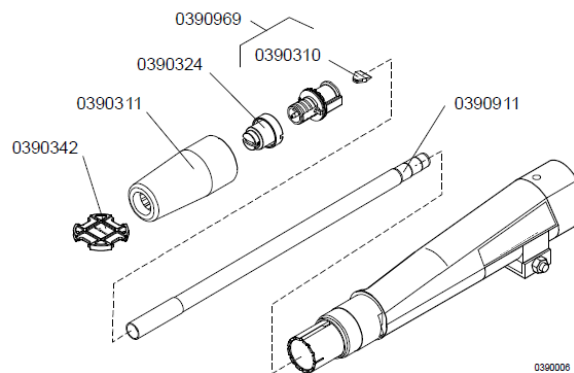
P.IVA 02098100262 - R.E.A. Treviso n.0188412 - Reg. Imp. TV n. 02098100262 - Cap.soc. € 10.400,00 i.v.

RICAMBISTICA POLVERE

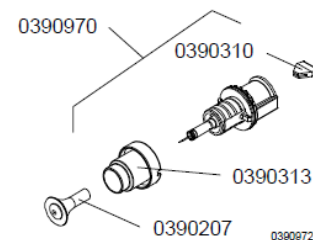
Per Prodotti CM - W



1	0351 900 *	Nozzle insert **
1/1	0351 339 *	Wedge
2	0351 309	Outer nut
3	0351 225 *	Deflector cone (Ø17)
3	0351 226 *	Deflector cone (Ø25)
3	0351 227 *	Deflector cone (Ø32)
4	0351 901 *	Fan spray nozzle **
4/1	0351 232 *	Fan spray nozzle
4/2	0351 346 *	Air nozzle



0390311	Outer nut
0390324 *	Fan spray nozzle F1
0390969 *	Electrode holder F FM ET **
0390310 *	Protective wedge
0390911 *	Powder tube C4 ET (PEA-C4)



0390207 *	Deflector cone R20 = Ø20
0390208 *	Deflector cone R28 = Ø28
0390209 *	Deflector cone R38 = Ø38
0390970 *	Electrode holder C4 R FM ET **
0390313 *	Deflector cone sleeve
0390310 *	Protective wedge

C.M. SPRAY S.R.L. Via T. Salsa, 10 z.i. 31030 CARBONERA (TV) ITALY






Sede Legale : Via Lanzaghe, 32/D - 31057 SILEA (TV)

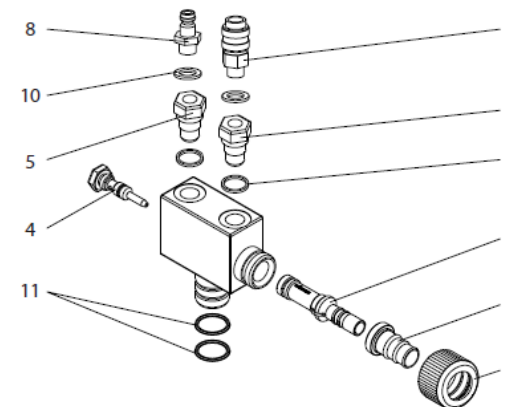
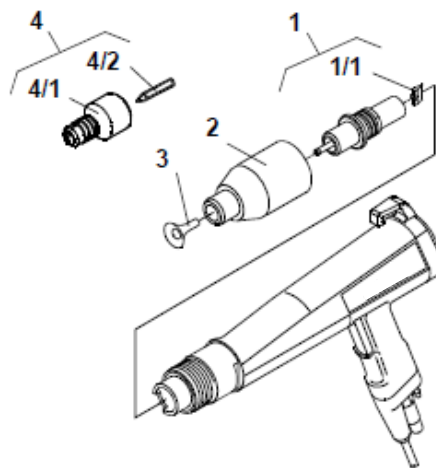
Tel. 0422.398768 - Fax 0422.398594 - www.cmspray.it e-mail: cmspray@cmspray.it

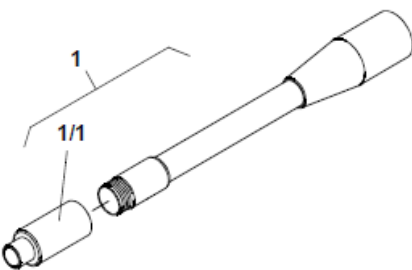
P.IVA 02098100262 - R.E.A. Treviso n.0188412 - Reg. Imp. TV n. 02098100262 - Cap.soc. € 10.400,00 i.v.

RICAMBISTICA POLVERE

Per Prodotti CM - W

	0390324 *	Fan spray nozzle F1
	0390325 *	Fan spray nozzle F2
	0390326 *	Fan spray nozzle F3
	0390331 *	Wide fan spray nozzle HPO-1
	0390207 *	Deflector cone (complete) Ø20
	0390208 *	Deflector cone (complete) Ø28
	0390209 *	Deflector cone (complete) Ø38



	1	0351958 *	Extension 300 mm C3 **
	1/1	0351372	Outer nut

1	0351940 *	Nozzle insert **
1/1	0351339 *	Wedge
2	0351620	Outer nut ET
3	0351225 *	Deflector cone (Ø17)
3	0351226 *	Deflector cone (Ø25)
3	0351227 *	Deflector cone (Ø32)
4	0351901 *	Fan spray nozzle **
4/1	0351232 *	Fan spray nozzle
4/2	0351346 *	Air nozzle

		241622	PI-F1 powder injector	
1	◆	1	241225	Annular gap collector nozzle
2		1	241476	Conductive nozzle
3		1	241466	Union nut
4	◆	1	241923	Air nozzle
5		2	241460	Spring check valve
7		1	9970149	Sealing ring
8		1	9992709	Quick-release plug
9		1	9992710	Quick-release socket
10		1	9970150	Sealing ring
11	◆	2	9974023	Sealing ring, electrically conductive

C.M. SPRAY S.R.L. Via T. Salsa, 10 z.i. 31030 CARBONERA (TV) ITALY

Sede Legale : Via Lanzaghe, 32/D - 31057 SILEA (TV)

Tel. 0422.398768 - Fax 0422.398594 - www.cmspray.it e-mail: cmspray@cmspray.it

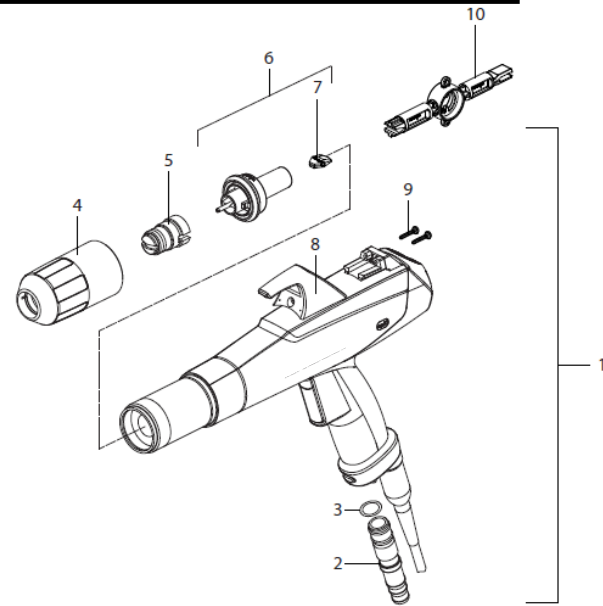
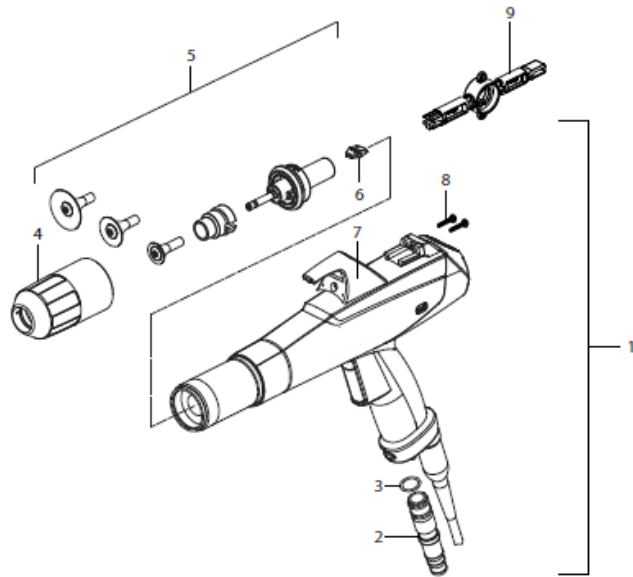
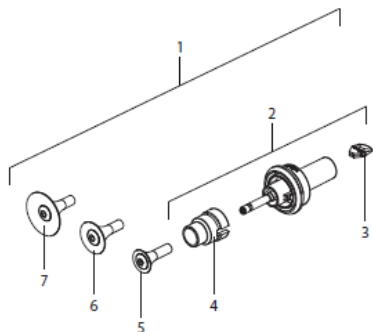
P.IVA 02098100262 - R.E.A. Treviso n.0188412 - Reg. Imp. TV n. 02098100262 - Cap.soc. € 10.400,00 i.v.






Sistemi di verniciatura industriale
automatismi ed impianti

RICAMBISTICA POLVERE

Per Prodotti CM - W



1	◆	1	2322493	Electrode holder, X1 R, with nozzle
2	◆	1	2322490	Electrode holder, X1 R ET
3	◆	1	2320488	Replacement protective wedge, X1
4	◆	1	2320503	Deflector cone sleeve, X1
5	◆	1	2321981	Deflector cone, D18, complete
6	◆	1	2321980	Deflector cone, D25, complete
7	◆	1	2321171	Deflector cone, D34, complete

	2321976	Fan spray nozzle, X1, complete
	2322529	Electrode holder, X1 F ET
	2322490	Electrode holder, X1 R ET

1	1	2335844	PEM-X1 Corona manual gun	
2	1	2322761	Hose take-up, D10-12, complete	
3	◆	2	9971364	O-ring
4	1	2320464	Union nut, X1	
5	◆	1	2322493	Electrode holder, X1 R, with nozzle
6	◆	1	2320488	Replacement protective wedge, X1
7	1	2320330	Gun hook, X1 ET	
8	2	2316896	Screw	
9	1	2324205	Wedge tool, X1	
10	1	2313993	Hose, transparent Ø 6 mm	

1	1	2322587	PEM-X1 Corona manual gun	
2	1	2322761	Hose take-up, D10-12, complete	
3	◆	2	9971364	O-ring
4	1	2320464	Union nut, X1	
5	◆	1	2321976	Fan spray nozzle, X1, complete
6	◆	★	2322529	Electrode holder, X1 F ET
7	◆	1	2320488	Replacement protective wedge, X1
8	1	2320330	Gun hook, X1 ET	
9	2	2316896	Screw	
10	1	2324205	Wedge tool, X1	
11	1	2313993	Hose, transparent Ø 6 mm	

C.M. SPRAY S.R.L. Via T. Salsa, 10 z.i. 31030 CARBONERA (TV) ITALY

Sede Legale : Via Lanzaghe, 32/D - 31057 SILEA (TV)

Tel. 0422.398768 - Fax 0422.398594 - www.cmspray.it e-mail: cmspray@cmspray.it

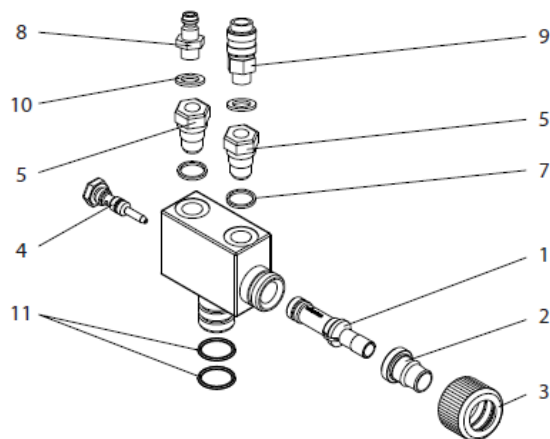
P.IVA 02098100262 - R.E.A. Treviso n.0188412 - Reg. Imp. TV n. 02098100262 - Cap.soc. € 10.400,00 i.v.



Sistemi di verniciatura industriale
automatismi ed impianti

RICAMBISTICA POLVERE

Per Prodotti CM - W



		241624	HiCoat-ED pump F
1	◆	241229	Collector nozzle low air
2	1	241479	Hose sleeve
3	1	241466	Union nut
4	1	241930	Air nozzle
5	2	241460	Spring check valve
7	1	9970149	Sealing ring
8	1	9992709	Quick-release plug
9	1	9992710	Quick-release socket
10	1	9970150	Sealing ring
11	◆	9974023	O-ring, electrically conductive

	2321976	Fan spray nozzle, X1, complete
	2321981 2321980 2321171	Deflector cone, D18, complete Deflector cone, D25, complete Deflector cone, D34, complete
	260928	Fan spray nozzle for PEM-T3
	259474	Deflector cone (∅ 22 mm; 0.87 inch) for PEM-T3
	265401	Fluid crown of suction unit
	265402	Fluid ring of suction unit
	241225	Clearance collector nozzle of PI-F1 Injector
	241229	Collector nozzle ED pump

C.M. SPRAY S.R.L. Via T. Salsa, 10 z.i. 31030 CARBONERA (TV) ITALY

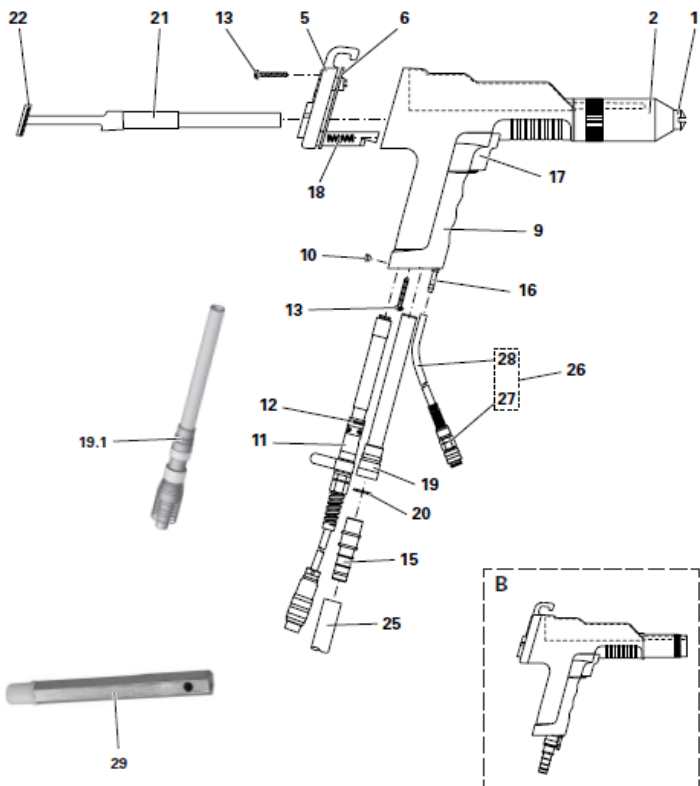
Sede Legale : Via Lanzaghe, 32/D - 31057 SILEA (TV)

Tel. 0422.398768 - Fax 0422.398594 - www.cmspray.it e-mail: cmspray@cmspray.it

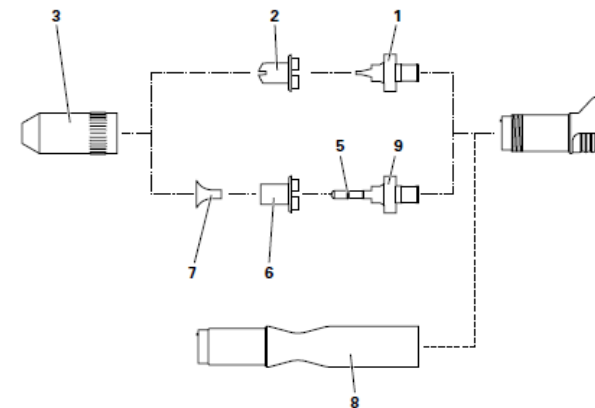
P.IVA 02098100262 - R.E.A. Treviso n.0188412 - Reg. Imp. TV n. 02098100262 - Cap.soc. € 10.400,00 i.v.

RICAMBISTICA POLVERE

Per Prodotti CM - G



5	End plate with hook	378283
6	End plate seal (for Item 5)	377848
9	Grounding plate	379301
10	Cylinder screw - M 3 x 6 mm	262021
11	Powder gun cable - complete - 6 m	378232
	Powder gun cable - complete - 12 m	378240
12	O-Ring (for Item 11)	261416
13	"PT" Special screw	261785
15	Quick-release powder hose connection	377988#
16	Rinsing air connection	378003
17	Trigger complete incl. Item 18	379093
18	Return spring	261572
19	Powder tube - complete (incl. Item 20)	379077#
19.1	Metallic powder tube with H-V protection	385778#
20	O Ring (for Item 19)	261564
21	Powder tube knee complete - (incl. Item 22)	378585
22	O-Ring (for Item 21)	261580
25	Powder hose - 1004 - ø 16 / 11 mm (standard)	103128#*
	Powder hose - 1005 - ø 20 / 12 mm	100080#*
27	Quick-release connection - ø 6 / 4 mm	200840
28	Rinsing air hose - ø 6 / 4 mm	100854#
29	Special box spanner	381993



	Nozzle set - Flat jet (Items 1, 2)	379620
	Nozzle set - Round jet (Items 5, 6, 9)	382922
1	Electrode holder (Flat jet nozzle)	379140 #
2	Flat jet nozzle	377856 #
3	Threaded sleeve	379166
5	O-Ring - ø 5 x 1 mm	231606 #
6	Round jet nozzle	378518 #
7	Deflector plate - ø 16 mm	331341 #
7.1	Deflector plate - ø 24 mm	331333 #
7.2	Deflector plate - ø 32 mm	331325 #
8	Extension - 150 mm	378852 #
8.1	Extension - 300 mm	378860 #
9	Electrode holder, incl. Item 5	382914 #

C.M. SPRAY S.R.L. Via T. Salsa, 10 z.i. 31030 CARBONERA (TV) ITALY

Sede Legale : Via Lanzaghe, 32/D - 31057 SILEA (TV)

Tel. 0422.398768 - Fax 0422.398594 - www.cmspray.it e-mail: cmspray@cmspray.it

P.IVA 02098100262 - R.E.A. Treviso n.0188412 - Reg. Imp. TV n. 02098100262 - Cap.soc. € 10.400,00 i.v.

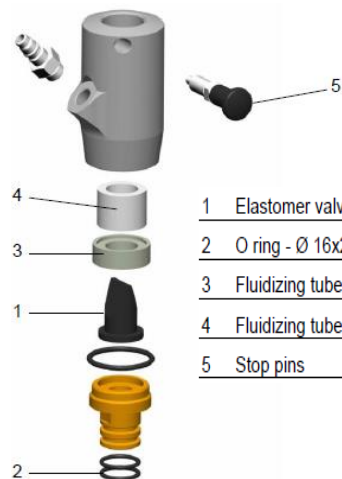


Sistemi di verniciatura industriale
automatismi ed impianti

RICAMBISTICA POLVERE

Per Prodotti CM - G

L = 150 mm	L = 300 mm	A	B	A + B	Threaded sleeve
 1007 718	 1007 719	 NF20 1007 934		NF20 1007 931	 1007 229
 1007 746	 1007 747	 NF21 1007 935	 1007 683	NF21 1007 932	
 1007 748	 1007 749	 NF24 1008 147		NF24 1008 142	 1008 326



1	Elastomer valve	1000 089#
2	O ring - Ø 16x2 mm, anti-static	1007 794#
3	Fluidizing tube bearing	1007 356
4	Fluidizing tube	1007 355
5	Stop pins	1007 359

 NS04 1008 151	 1008 152	NS04 1008 150	 1007 229	 1007 934								
				<table border="1"> <tbody> <tr> <td>Ø 16 mm</td> <td>331 341</td> </tr> <tr> <td>Ø 24 mm</td> <td>331 333</td> </tr> <tr> <td>Ø 32 mm</td> <td>331 325</td> </tr> <tr> <td>Ø 50 mm</td> <td>345 822</td> </tr> </tbody> </table>	Ø 16 mm	331 341	Ø 24 mm	331 333	Ø 32 mm	331 325	Ø 50 mm	345 822
Ø 16 mm	331 341											
Ø 24 mm	331 333											
Ø 32 mm	331 325											
Ø 50 mm	345 822											

C.M. SPRAY S.R.L. Via T. Salsa, 10 z.i. 31030 CARBONERA (TV) ITALY



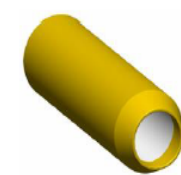















Sede Legale : Via Lanzaghe, 32/D - 31057 SILEA (TV)

Tel. 0422.398768 - Fax 0422.398594 - www.cmspray.it e-mail: cmspray@cmspray.it

P.IVA 02098100262 - R.E.A. Treviso n.0188412 - Reg. Imp. TV n. 02098100262 - Cap.soc. € 10.400,00 i.v.

RICAMBISTICA POLVERE

Per Prodotti CM - G

 NF25 1007 735	 1007 684	NF25 1007 743	 1007 740	--	 NF20 1010 090	NF20 1010160	
 NF26 1007 742		NF26 1007 744		--	 NF27 1010 752	NF27 1010 754	
 NS09 1008 257	 1008 258	NS09 1008 259			 NF21 1007 935	 1007 683	NF21 1007 932
				Ø 16 mm 331 341 Ø 24 mm 331 333 Ø 32 mm 331 325 Ø 50 mm 345 822	 NF22 1008 145	NF22 1008 140	
 NS04 1008 151	 1008 152	NS04 1008 150	 1007 229		 NF24* 1008 147	NF24 1008 142	 1008 326
				Ø 16 mm 331 341 Ø 24 mm 331 333 Ø 32 mm 331 325 Ø 50 mm 345 822			

C.M. SPRAY S.R.L. Via T. Salsa, 10 z.i. 31030 CARBONERA (TV) ITALY

Sede Legale : Via Lanzaghe, 32/D - 31057 SILEA (TV)

Tel. 0422.398768 - Fax 0422.398594 - www.cmspray.it e-mail: cmspray@cmspray.it




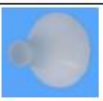











P.IVA 02098100262 - R.E.A. Treviso n.0188412 - Reg. Imp. TV n. 02098100262 - Cap.soc. € 10.400,00 i.v.



Sistemi di verniciatura industriale
automatismi ed impianti

RICAMBISTICA POLVERE

Per Prodotti CM - G

 NF25 1007 735	 1007 684	NF25 1007 743	 1007 740		L = 150 mm	 1008 616	L = 300 mm	 1008 617
 NF26 1007 742		NF26 1007 744			L = 150 mm	 1007 718	L = 300 mm	 1007 719
					L = 150 mm	 1007 746	L = 300 mm	 1007 747
 NS09 1008 257	 1008 258	NS09 1008 259			L = 150 mm	 1007 748	L = 300 mm	 1007 749
			Ø 16 mm 331 341					
			Ø 24 mm 331 333					
			Ø 32 mm 331 325					
			Ø 50 mm 345 822					

C.M. SPRAY S.R.L. Via T. Salsa, 10 z.i. 31030 CARBONERA (TV) ITALY

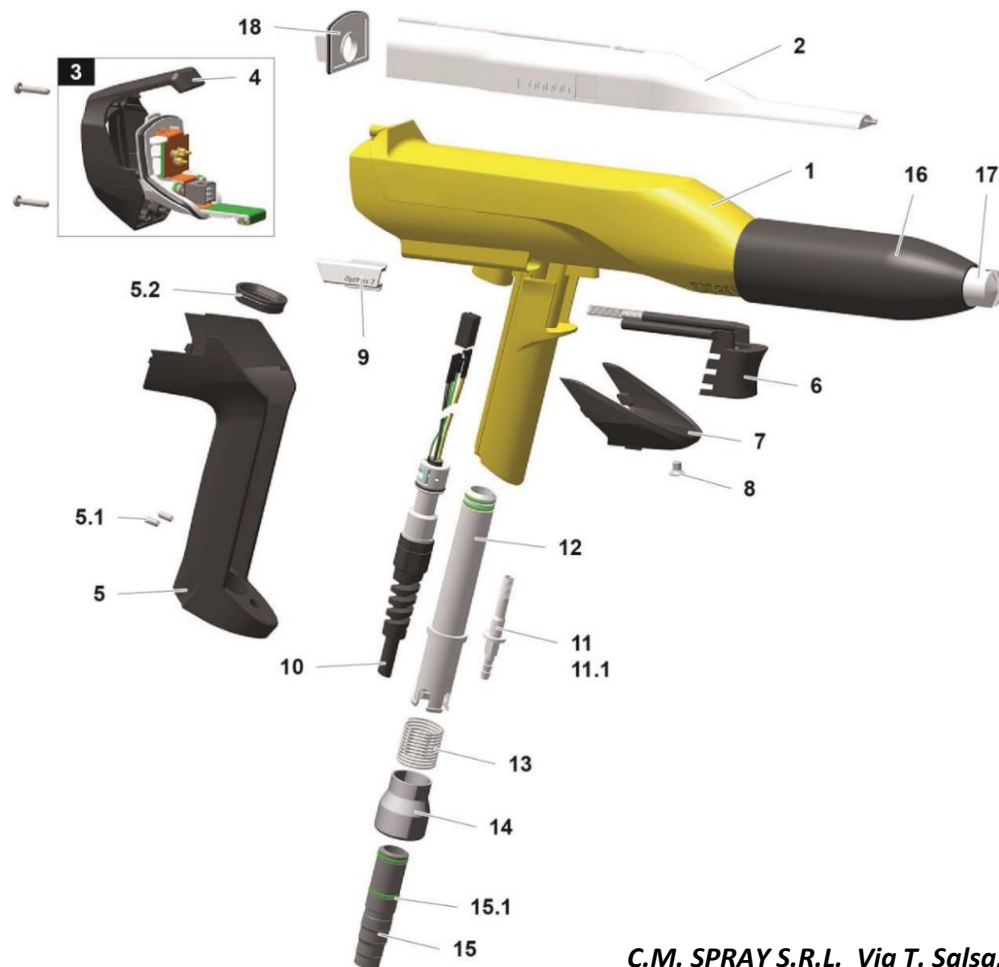
Sede Legale : Via Lanzaghe, 32/D - 31057 SILEA (TV)

Tel. 0422.398768 - Fax 0422.398594 - www.cmspray.it e-mail: cmspray@cmspray.it

P.IVA 02098100262 - R.E.A. Treviso n.0188412 - Reg. Imp. TV n. 02098100262 - Cap.soc. € 10.400,00 i.v.

RICAMBISTICA POLVERE

Per Prodotti CM - G



1	Gun body	1007 220
2	Cascade – complete, negative polarity	1007 231
	Cascade – complete, positive polarity	1007 232
3	Print holder – complete	1007 216
4	End plate with hook	1007 217
5	Grip – complete (incl. pos. 5.1 and 5.2)	1007 961
5.1	Grub screw – M3x8 mm	1008 157
5.2	Grip sealing	1007 633
6	Trigger – complete	1007 213
7	Trigger cover	1007 212
8	Countersunk-head screw – M4x6 mm	1000 845
9	SuperCorona connection	1007 238
10	Gun cable 2 m – complete	1007 963
	Gun cable 6 m – complete	1007 964
	Gun cable 12 m – complete	1007 965
11	Rinsing air connection	1000 804
11.1	Rinsing air hose	100 854*
12	Powder tube – complete	1007 958
13	Compression spring	1001 488
14	Clip ring	1007 960
15	Hose connection Ø 11-12 mm – complete (incl. pos 15.1)	1001 340
	Hose connection Ø 9-10 mm – complete (incl. pos 15.1)	1002 030
15.1	O-ring for pos. 15	1000 822
16	Threaded sleeve (see corresponding spare parts list)	
17	Nozzle (see corresponding spare parts list)	
18	Cascade space gasket	1007 635

C.M. SPRAY S.R.L. Via T. Salsa, 10 z.i. 31030 CARBONERA (TV) ITALY

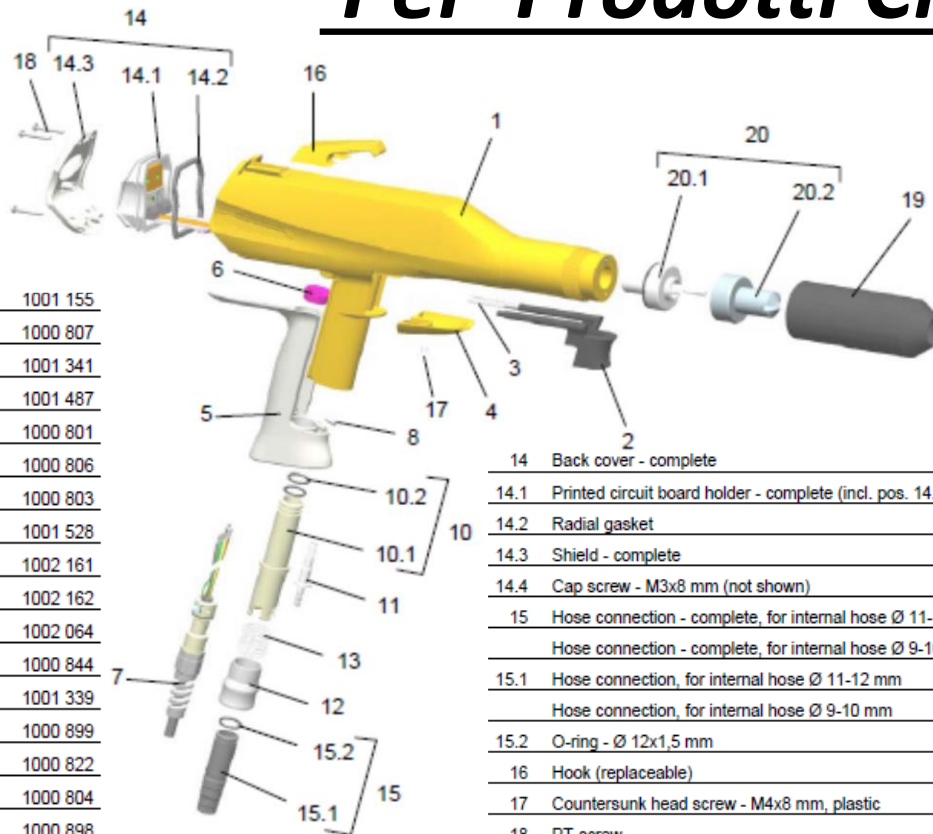
Sede Legale : Via Lanzaghe, 32/D - 31057 SILEA (TV)

Tel. 0422.398768 - Fax 0422.398594 - www.cmspray.it e-mail: cmspray@cmspray.it

P.IVA 02098100262 - R.E.A. Treviso n.0188412 - Reg. Imp. TV n. 02098100262 - Cap.soc. € 10.400,00 i.v.

RICAMBISTICA POLVERE

Per Prodotti CM - G



1	Gun body	1001 155
	Handle - complete set (pos. 5, 6, 7 and 8)	1000 807
2	Trigger - complete (incl. pos. 2 and 3)	1001 341
3	Compression spring - 0,36x4,2x49,4 mm	1001 487
4	Trigger cover	1000 801
5	Grasp termination	1000 806
6	Radial gasket	1000 803
7	Gun cable - L=6 m, complete	1001 528
	Extension cable for gun cable - L=6m, incl. safety clamp	1002 161
	Extension cable for gun cable - L=14m, incl. safety clamp	1002 162
	Safety clamp for extension cable	1002 064
8	Grub screw - M3x8 mm	1000 844
10	Powder tube - complete	1001 339
10.1	Powder tube	1000 899
10.2	O-ring - Ø 12x1,5 mm	1000 822
11	Rinsing air connection	1000 804
12	Clip ring	1000 898
13	Compression spring	1001 488

14	Back cover - complete	1000 617
14.1	Printed circuit board holder - complete (incl. pos. 14.2)	1002 029
14.2	Radial gasket	1000 795
14.3	Shield - complete	1002 028
14.4	Cap screw - M3x8 mm (not shown)	202 363
15	Hose connection - complete, for internal hose Ø 11-12 mm	1001 340
	Hose connection - complete, for internal hose Ø 9-10 mm	1002 030
15.1	Hose connection, for internal hose Ø 11-12 mm	1000 900
	Hose connection, for internal hose Ø 9-10 mm	1002 032
15.2	O-ring - Ø 12x1,5 mm	1000 822
16	Hook (replaceable)	1000 877
17	Countersunk head screw - M4x8 mm, plastic	263 516
18	PT-screw	1000 843
19	Threaded sleeve - complete	1000 948
20	Flat jet nozzle - complete	1000 047
20.1	Electrode holder - complete	1000 055
20.2	Flat jet nozzle	1000 049

C.M. SPRAY S.R.L. Via T. Salsa, 10 z.i. 31030 CARBONERA (TV) ITALY

Sede Legale : Via Lanzaghe, 32/D - 31057 SILEA (TV)

Tel. 0422.398768 - Fax 0422.398594 - www.cmspray.it e-mail: cmspray@cmspray.it

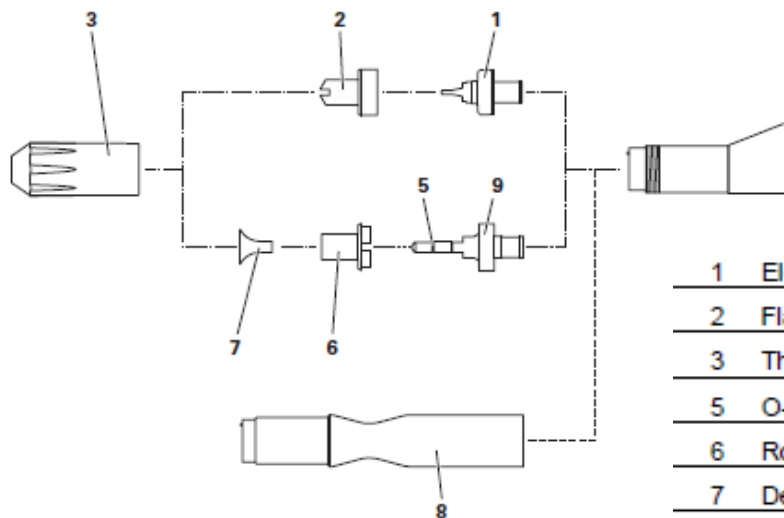
P.IVA 02098100262 - R.E.A. Treviso n.0188412 - Reg. Imp. TV n. 02098100262 - Cap.soc. € 10.400,00 i.v.



Sistemi di verniciatura industriale
automatismi ed impianti

RICAMBISTICA POLVERE

Per Prodotti CM - G



1	Electrode holder (flat jet nozzle)	1000 055#
2	Flat jet nozzle	1000 049#
3	Threaded sleeve	1000 948
5	O-ring - Ø 5x1 mm	231 606#
6	Round jet nozzle	378 518#
7	Deflector - Ø 16 mm	331 341#
7.1	Deflector - Ø 24 mm	331 333#
7.2	Deflector - Ø 32 mm	331 325#
8	Extension - 150 mm	378 852#
8.1	Extension - 300 mm	378 860#
9	Electrode holder, incl. pos. 5 (round jet nozzle-central electrode)	382 914#

C.M. SPRAY S.R.L. Via T. Salsa, 10 z.i. 31030 CARBONERA (TV) ITALY

Sede Legale : Via Lanzaghe, 32/D - 31057 SILEA (TV)

Tel. 0422.398768 - Fax 0422.398594 - www.cmspray.it e-mail: cmspray@cmspray.it

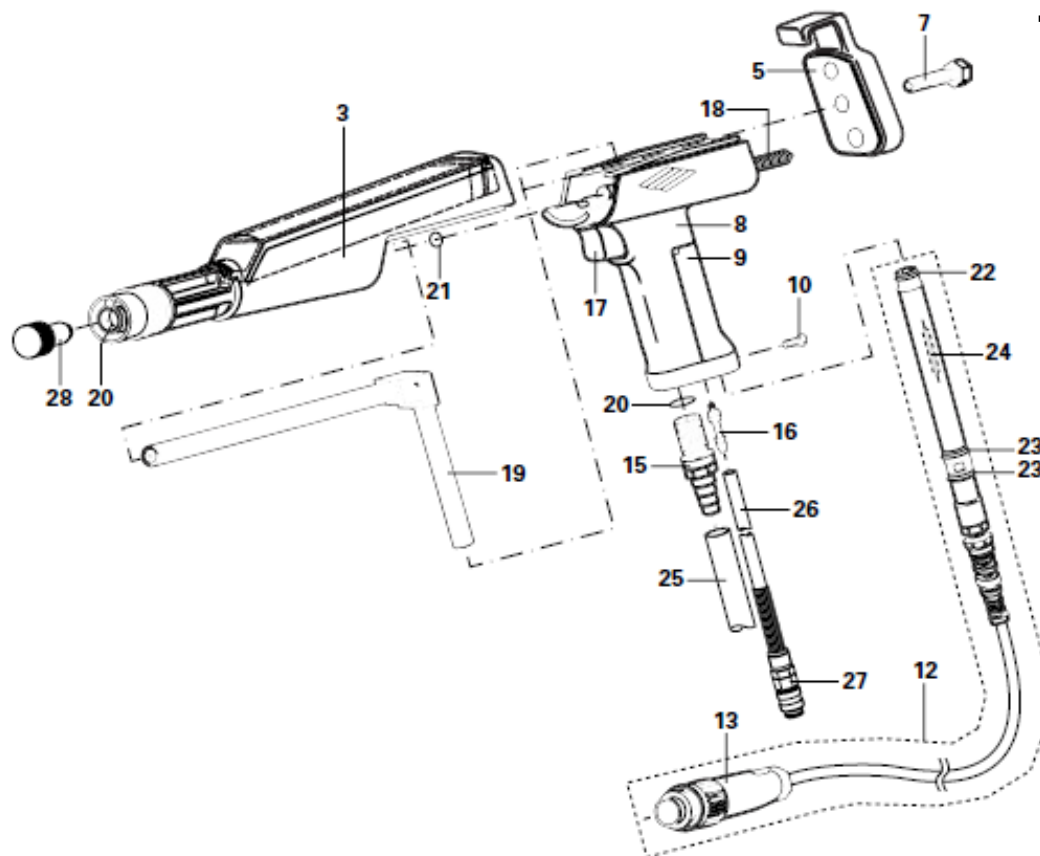
P.IVA 02098100262 - R.E.A. Treviso n.0188412 - Reg. Imp. TV n. 02098100262 - Cap.soc. € 10.400,00 i.v.



Sistemi di verniciatura industriale
automatismi ed impianti

RICAMBISTICA POLVERE

Per Prodotti CM - G



3	Shaft assembly, complete with shaft, cascade, O-rings - Items 20 and 21 - Negative polarity - Positive polarity	338 249 338 257
5	Cover with hook	330 043
7	Plastic bolt - M8 x 35 mm	328 847
8	Hand grip	330 035
9	Grounding plate	328 863
10	Lock screw - M4 x 10 mm	232 637
12	Gun cable, complete with 6 m cable Gun cable, complete with 11 m cable	328 740 336 025
12.1	Extension cable for gun cable (Item 12)	334 464
12.2	Cable only (for Item 12)	102 911
13	7 pin plug	200 085
15	Powder hose connector (with O-ring - Item 20)	333 727
16	Rinsing air connector	328 820
17	Trigger with switching magnet	333 662
18	Spring	331 651
19	Powder tube	333 700
20	O-ring - \varnothing 13.1 x 1.6 mm	232 670
21	O-ring - \varnothing 6.1 x 1.6 mm	233 099
22	O-ring - \varnothing 7.65 x 1.78 mm	232 564
23	O-ring - \varnothing 10.82 x 1.78 mm	232 556
24	Reed contact	328 910
25	Powder hose - \varnothing 16 / 11 mm	103 128
26	Rinsing air hose - \varnothing 6 / 4 mm	100 854
27	Quick-release connection - \varnothing 6 / 4 mm	200 840
28	Special extractor tool (for Item 19) Spiral brush (for Item 19)	340 839 333 514

C.M. SPRAY S.R.L. Via T. Salsa, 10 z.i. 31030 CARBONERA (TV) ITALY

Sede Legale : Via Lanzaghe, 32/D - 31057 SILEA (TV)

Tel. 0422.398768 - Fax 0422.398594 - www.cmspray.it e-mail: cmspray@cmspray.it

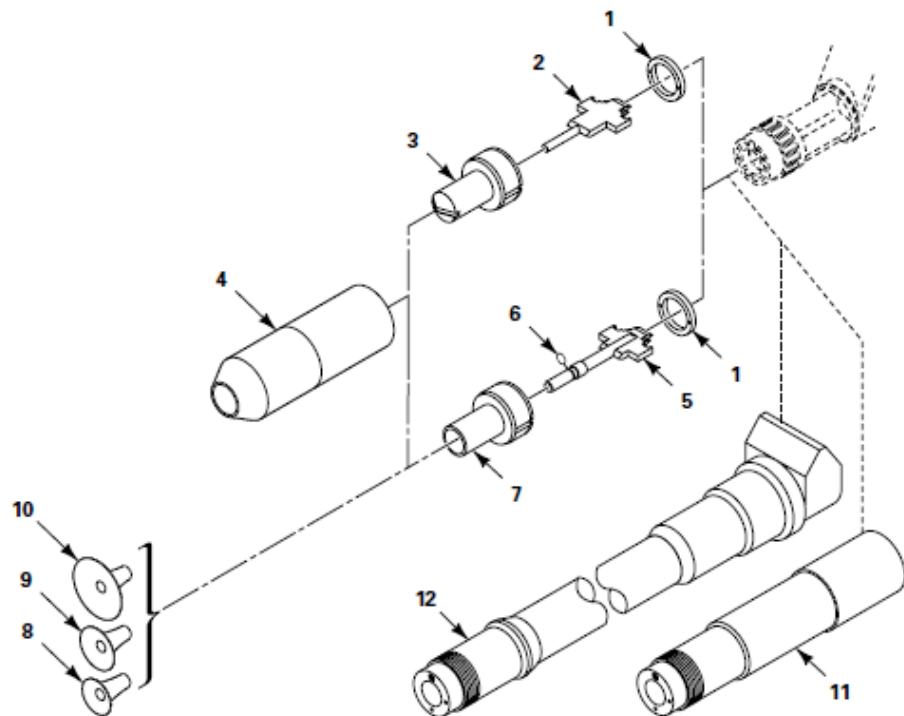
P.IVA 02098100262 - R.E.A. Treviso n.0188412 - Reg. Imp. TV n. 02098100262 - Cap.soc. € 10.400,00 i.v.



Sistemi di verniciatura industriale
automatismi ed impianti

RICAMBISTICA POLVERE

Per Prodotti CM - G



Flat Jet Nozzle Set (items 1, 2, 3)	319 350
Round Jet Nozzle Set (items 1, 5, 6, 7)	351 717
1 Contact ring	318 760
2 Electrode holder - complete (Flat Jet Nozzle - Tefzel - Standard)	318 779#
2.1 Electrode holder - complete (Flat Jet Nozzle - PTFE)	358 126#
3 Flat Jet Nozzle	318 744#
4 Threaded sleeve	328 774
5 Electrode holder, incl. item 6 (Round Jet Nozzle - Standard)	351 709#
5.1 Electrode holder, incl. item 6 (Round Jet Nozzle - Double electrode)	347 329#
6 O-Ring - \varnothing 5 x 1 mm	231 606#
7 Round Jet Nozzle	331 287#
8 Deflector - \varnothing 16 mm	331 341#
9 Deflector - \varnothing 24 mm	331 333#
10 Deflector - \varnothing 32 mm	331 325#
11 Extension tube - 150 mm	347 310#
12 Extension tube - 300 mm	353 310#
12.1 Extension tube - 500 mm	352 500#

C.M. SPRAY S.R.L. Via T. Salsa, 10 z.i. 31030 CARBONERA (TV) ITALY

Sede Legale : Via Lanzaghe, 32/D - 31057 SILEA (TV)

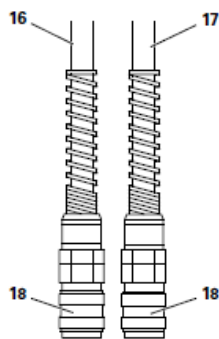
Tel. 0422.398768 - Fax 0422.398594 - www.cmspray.it e-mail: cmspray@cmspray.it

P.IVA 02098100262 - R.E.A. Treviso n.0188412 - Reg. Imp. TV n. 02098100262 - Cap.soc. € 10.400,00 i.v.

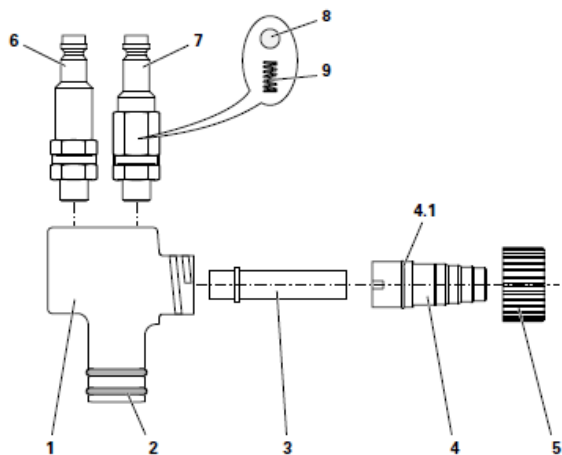
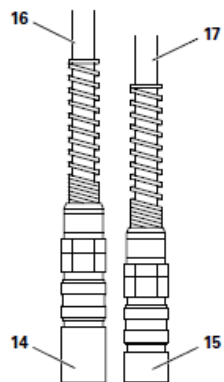
RICAMBISTICA POLVERE

Per Prodotti CM - G

Automatic equipment



Manual equipment



1	Injector body (without pos. 2)	1000 132
2	O-ring - Ø 16x2 mm	231 517#
3	Insert sleeve - PTFE	377 724#
4	Hose connection (complete, incl. pos. 4.1)	387 827
4.1	O-ring - Ø 15x1 mm	266 930#
5	Threaded sleeve	387 819
6	Check valve conveying air (red marking) - complete (incl. pos. 8 and 9)	261 211
7	Check valve supplementary air (black marking) - complete (incl. pos. 8 and 9)	261 203
8	Ball	240 168
9	Spring	240 176
14	Quick release coupling red for conveying air hose - Ø 8/6 mm	261 645
15	Quick release coupling for supplementary air hose - Ø 8/6 mm	261 637
16	Conveying air hose - Ø 8/6 mm (red)	103 500*
17	Supplementary air hose - Ø 8/6 mm (black)	103 756*
18	Quick release coupling for hose - Ø 8/6 mm	203 181

C.M. SPRAY S.R.L. Via T. Salsa, 10 z.i. 31030 CARBONERA (TV) ITALY

Sede Legale : Via Lanzaghe, 32/D - 31057 SILEA (TV)

Tel. 0422.398768 - Fax 0422.398594 - www.cmspray.it e-mail: cmspray@cmspray.it

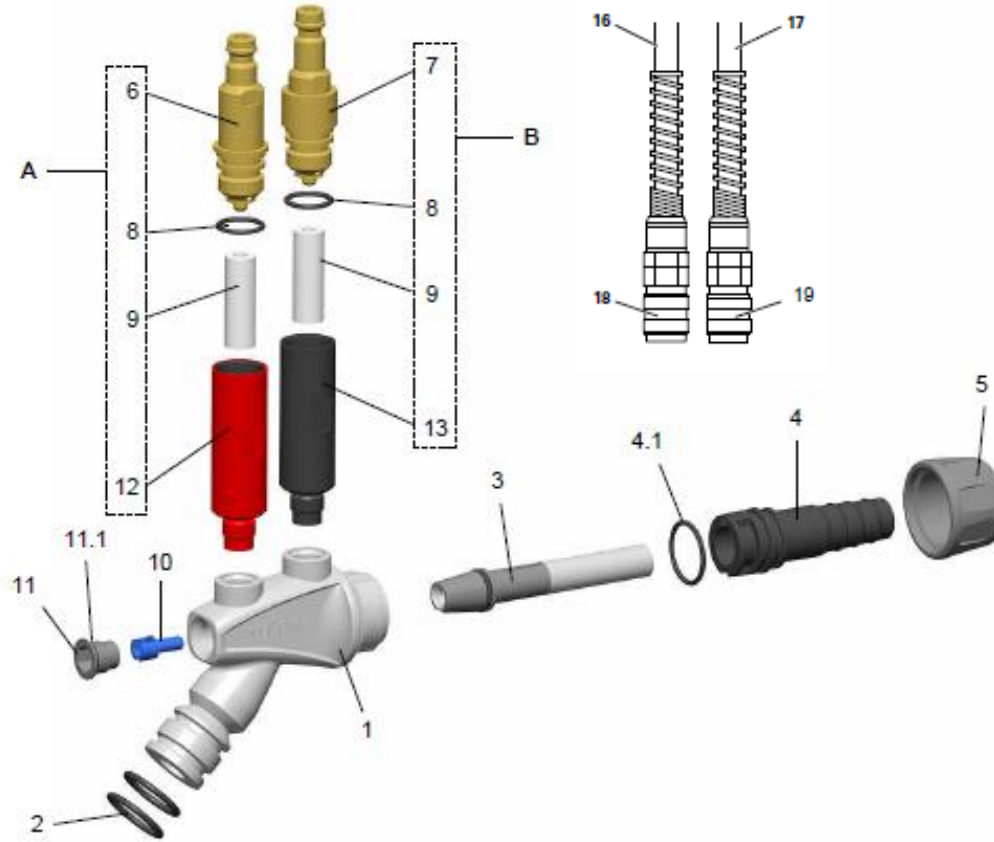
P.IVA 02098100262 - R.E.A. Treviso n.0188412 - Reg. Imp. TV n. 02098100262 - Cap.soc. € 10.400,00 i.v.



Sistemi di verniciatura industriale
automatismi ed impianti

RICAMBISTICA POLVERE

Per Prodotti CM - G



1	Injector body (without pos. 2)	1006 484
2	O-ring - Ø 16x2 mm	1007 794#
3	Insert sleeve - PTFE, complete	1006 485#
4	Hose connection - Ø 10-12 mm, complete (incl. pos 4.1)	1006 531
4.1	O-ring - Ø 16x1.5 mm	205 141#
5	Threaded sleeve	1006 483
6	Connector (conveying air) - NW 5.5	1004 366
7	Connector (supplementary air) - NW 5.5	1004 367
8	O-ring - Ø 11x1.5 mm	1000 532#
9	Filter element - Ø 9/4x27 mm	1003 698#
10	Nozzle	1006 488
11	Nozzle fixation - complete (incl. pos. 11.1)	1007 792
11.1	O-ring - Ø 8x1 mm	1007 793#
12	Body (red)	1004 369
13	Body (black)	1004 370
16	Conveying air hose - Ø 8/6 mm (red)	103 500*
17	Supplementary air hose - Ø 8/6 mm (black)	103 756*
18	Quick release coupling for conveying air hose - NW5-Ø 8 mm	261 645
19	Quick release coupling for supplementary air hose - NW5-Ø 8 mm	261 637

C.M. SPRAY S.R.L. Via T. Salsa, 10 z.i. 31030 CARBONERA (TV) ITALY

Sede Legale : Via Lanzaghe, 32/D - 31057 SILEA (TV)

Tel. 0422.398768 - Fax 0422.398594 - www.cmspray.it e-mail: cmspray@cmspray.it

P.IVA 02098100262 - R.E.A. Treviso n.0188412 - Reg. Imp. TV n. 02098100262 - Cap.soc. € 10.400,00 i.v.



Sistemi di verniciatura industriale
automatismi ed impianti

La ricambistica polvere sopra riportata nelle pagine precedenti contiene immagini esemplificative degli originali articoli per rappresentare la ricambistica NON OEM (original equipment manufacturer) o AFTER MARKET trattata dalla nostra azienda

C.M. SPRAY S.R.L. Via T. Salsa, 10 z.i. 31030 CARBONERA (TV) ITALY

Sede Legale : Via Lanzaghe, 32/D - 31057 SILEA (TV)

Tel. 0422.398768 - Fax 0422.398594 - www.cmspray.it e-mail: cmspray@cmspray.it

P.IVA 02098100262 - R.E.A. Treviso n.0188412 - Reg. Imp. TV n. 02098100262 - Cap.soc. € 10.400,00 i.v.